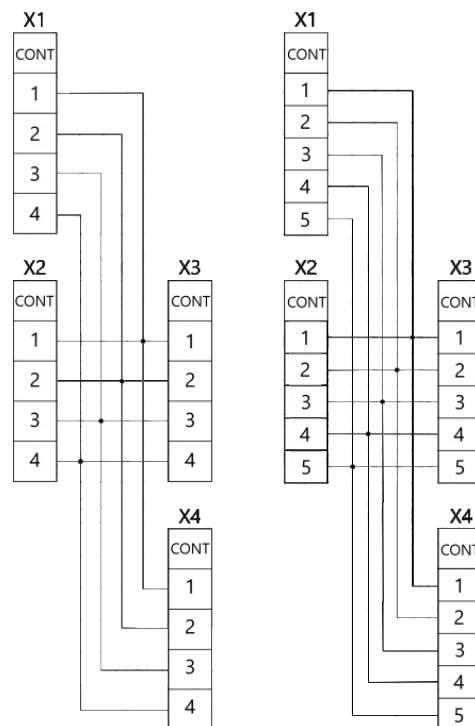
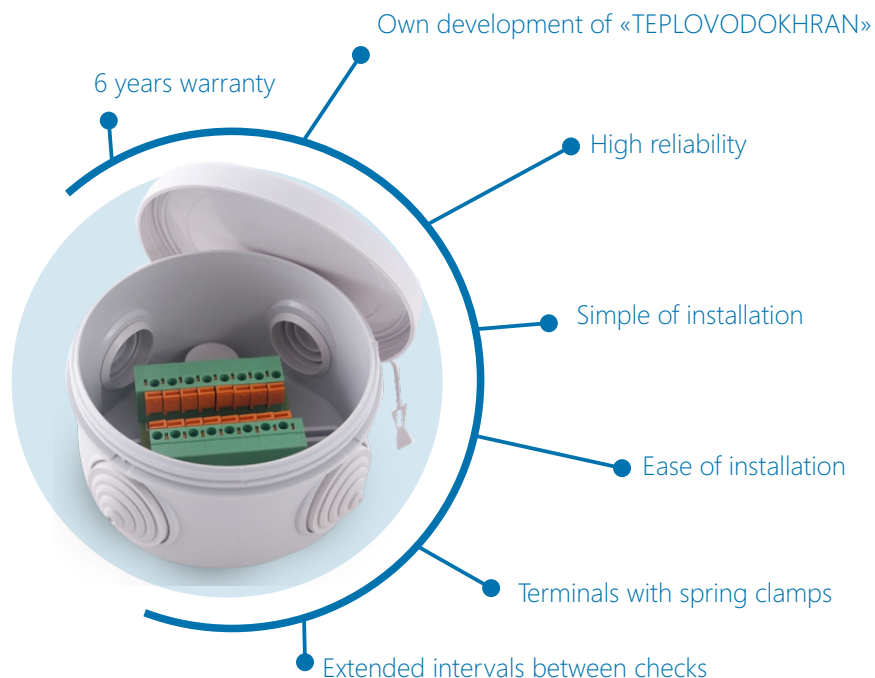


Switching units «Pulsar»

Designed for connecting signal receivers and transmitters.



Technical data

Switching units	Switching units For 5 contacts
Clamped wire cross section, mm ²	0,2.....1,5
Current max, A	2
Voltage max, w	150
Body protection	IP65
Contact amount 4 groups with 4 contacts or 4 groups with 5 contacts	5

✉ export@pulsarm.ru
 📍 390027, Russia, Ryazan, Novaya str, 51V
 ☎ 7 (4912) 24-02-70

